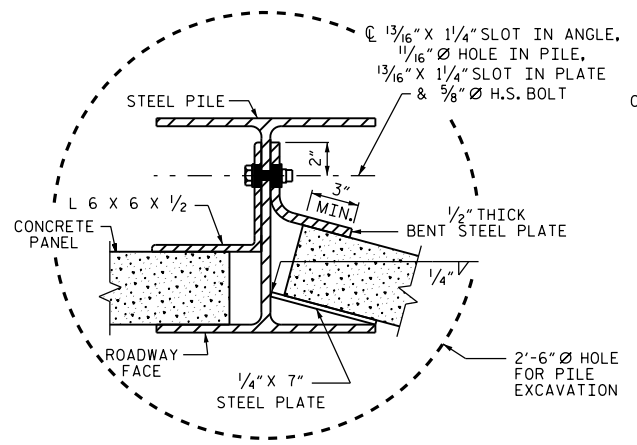


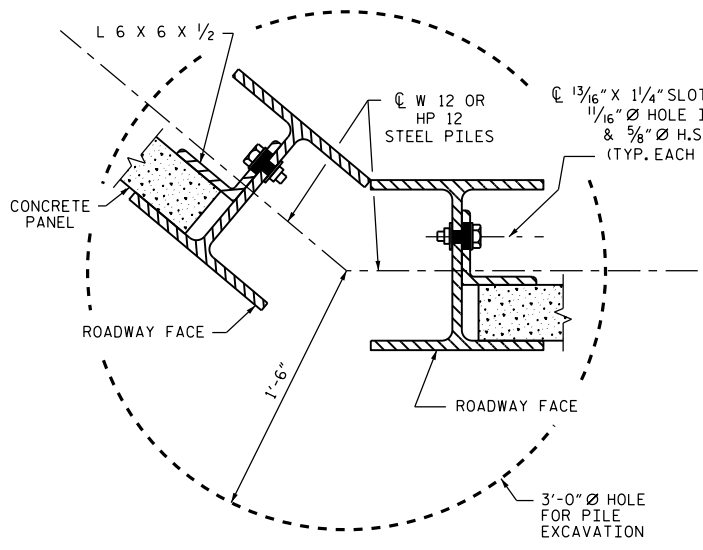
**TYPICAL WALL TURN DETAIL**

(FOR GREATER THAN 15° TURNS, CONCAVE TOWARD ROADWAY)



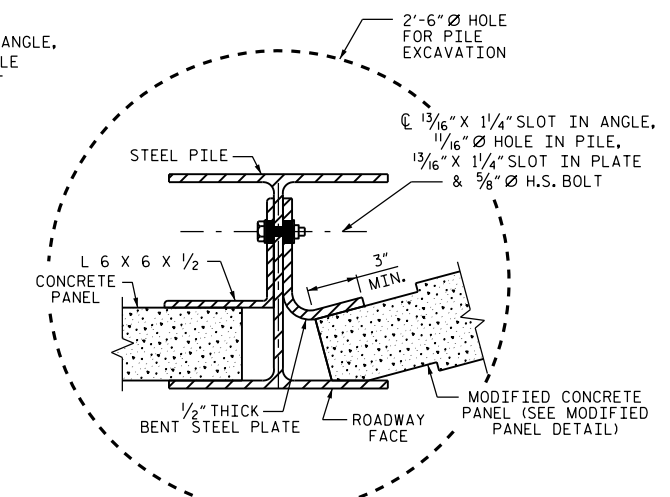
**TYPICAL WALL TURN DETAIL**

(USE ONLY FOR TURNS 15° OR LESS, CONCAVE TOWARD ROADWAY)



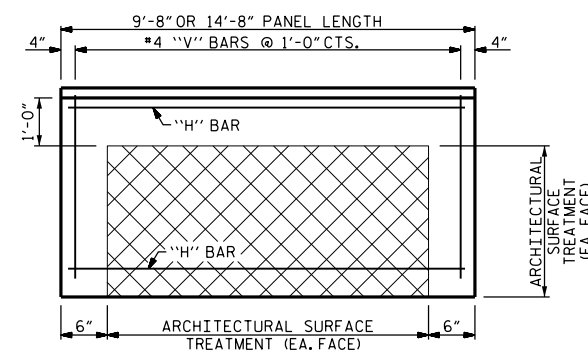
**TYPICAL WALL TURN DETAIL**

(FOR GREATER THAN 15° TURNS, CONVEX TOWARD ROADWAY)

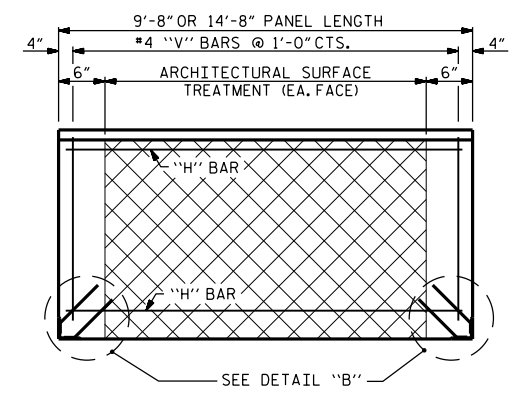


**TYPICAL WALL TURN DETAIL**

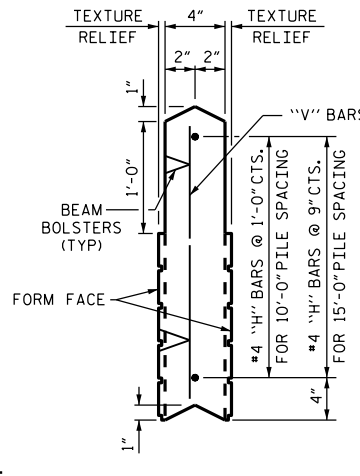
(USE ONLY FOR TURNS 15° OR LESS, CONVEX TOWARD ROADWAY)



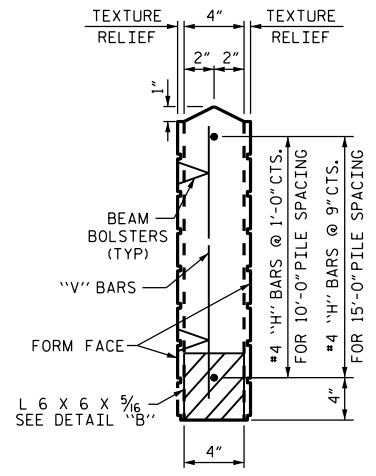
**FRONT ELEVATION OF UPPER PRECAST PANEL**



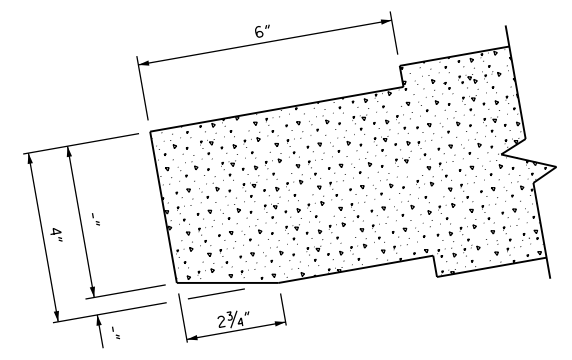
**FRONT ELEVATION OF BOTTOM PRECAST PANEL**



**UPPER PANEL**



**BOTTOM PANEL**



**MODIFIED PANEL DETAIL**

(USE ONLY FOR TURNS 15° OR LESS, CONVEX TOWARD ROADWAY)

**SECTION THROUGH PRECAST PANELS**

**QUANTITIES FOR ONE PRECAST PANEL (FOR 10'-0" PILE SPACING)**

PANEL HEIGHT	CLASS AA CONCRETE	BAR TYPES											
		HORIZONTAL					VERTICAL						
		C.Y.	NO.	BAR SIZE	TYPE	LENGTH	WEIGHT (lb)	NO.	BAR SIZE	TYPE	LENGTH	WEIGHT (lb)	
2'-0"	0.24	3	H1	#4	STR	9'-4"	19	10	V1	#4	STR	1'-8"	11
3'-0"	0.36	4	H2	#4	STR	9'-4"	25	10	V2	#4	STR	2'-8"	18
4'-0"	0.48	5	H3	#4	STR	9'-4"	31	10	V3	#4	STR	3'-8"	24

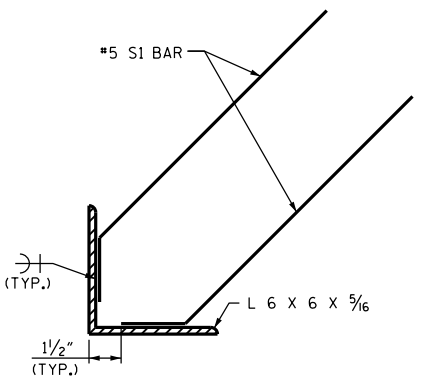
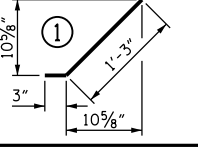
**QUANTITIES FOR ONE PRECAST PANEL (FOR 15'-0" PILE SPACING)**

PANEL HEIGHT	CLASS AA CONCRETE	BAR TYPES											
		HORIZONTAL					VERTICAL						
		C.Y.	NO.	BAR SIZE	TYPE	LENGTH	WEIGHT (lb)	NO.	BAR SIZE	TYPE	LENGTH	WEIGHT (lb)	
3'-0"	0.54	5	H1	#4	STR	14'-4"	48	15	V1	#4	STR	2'-8"	27
4'-0"	0.72	6	H2	#4	STR	14'-4"	57	15	V2	#4	STR	3'-8"	37
5'-0"	0.91	7	H3	#4	STR	14'-4"	67	15	V3	#4	STR	4'-8"	47
6'-0"	1.09	8	H4	#4	STR	14'-4"	77	15	V4	#4	STR	5'-8"	57

**ADDITIONAL BARS FOR ONE BOTTOM PANEL**

NO.	BAR SIZE	TYPE	LENGTH	WEIGHT (lb)
4	S1	#5	1'-6"	6

**BAR TYPE**



**DETAIL "B"**

ASSEMBLED BY :	DATE :
CHECKED BY :	DATE :
DRAWN BY : JAD 5/01	REV. 1/15/14
CHECKED BY : RDR 5/01	REV. 10/17
	REV. 5/18
	RWW/TMG
	MAA/THC
	MAA/THC

PROJECT NO. \_\_\_\_\_

\_\_\_\_\_ COUNTY

STATION: \_\_\_\_\_

SHEET OF \_\_\_\_\_

STATE OF NORTH CAROLINA					
DEPARTMENT OF TRANSPORTATION					
RALEIGH					
STANDARD					
SOUND BARRIER WALL					
DETAILS					
(STEEL PILES)					
REVISIONS					
NO.	BY:	DATE:	NO.	BY:	DATE:
1			3		
2			4		
					SHEET NO.
					TOTAL SHEETS

DOCUMENT NOT CONSIDERED FINAL UNLESS ALL SIGNATURES COMPLETED